

B-ware™ Smart Data Collector



The **B-ware™ Data Collector** is the data information gateway to the Internet for monitoring your beehives remotely and automatically.

Each Hive Monitor communicates with a B-ware™ Smart Data Collector which, in turn, passes the weight and temperature data of each hive to the Internet where it is accessible to you in easy to read graphs and tables. In remote areas without cellular coverage, the Data Collector can also be read by your hand-held device and later uploaded to the Internet when within cellular tower range.

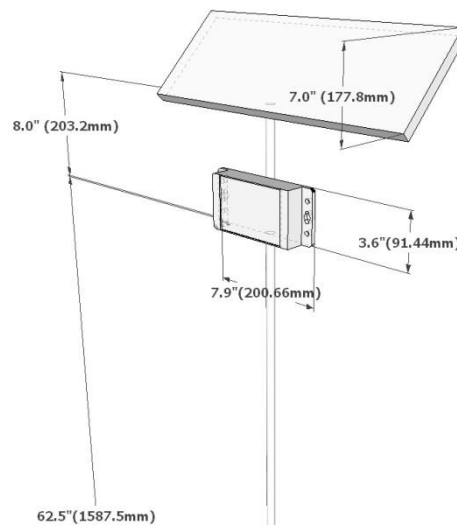
The Data Collector assures that your connected Hive Monitors are within range and that hive tampering or other security concerns are sent to you via the Data Collector as alarms to your handheld device or email address.

Technical Specifications:

Operating Temperature Range	15F to 140F (-10C to 60C)*
Battery Life	min. 2 years

	Models		
	DC-10	DC-20	DC-30
WiFi connectivity	✓	✓	✓
Cellular connectivity	-	✓	-
Satellite connectivity	-	-	✓
Number of supported scales per data collector	100	100	100
Memory (per 100 monitors)	40 days	40 days	40 days
Battery operated	✓	✓	✓
Solar Cell Rechargeable	✓	✓	✓

* The equipment will work normally within its temperature operating range. At extreme temperatures outside of this range, the equipment will purposefully shut down to avoid excess energy usage and will start operating again when within operating temperature range.



Beehive Monitoring System

Solutionbee delivers the highest quality beehive monitoring system in the industry with the most value. Reliable, technical and user-friendly solutions are Solutionbee’s specialty.

Solutionbee’s dedicated customer technical support assists distributors and end-users to set-up and maintain the hive monitoring equipment.



SOLUTIONBEE
REMOTE READING SOLUTIONS

Solutionbee LLC
8112 Glenbrittle Way, Suite 3000
Raleigh, NC 27615 USA
+1 919 607 3407
sales@solutionbee.com